



life without limit™

# installation instructions

urban jungle™ / terrain™

Graco Snugride™ / Snugide32™ travel system

Installation instructions for the travel system that fits the Snugride™ / Snugide32™ infant carseat by Graco™.

## **WARNINGS**

Check you have the correct travel system for your carseat.

## **WARNINGS**

Do not use this travel system until you have read and understood the instructions!

## **WARNINGS**

Never leave your child unattended.

## **WARNINGS**

Do not use accessories not designed for your buggy as they may be unsafe.

## **WARNINGS**

Do not leave your baby in carseat (on or off buggy) for long periods of time.

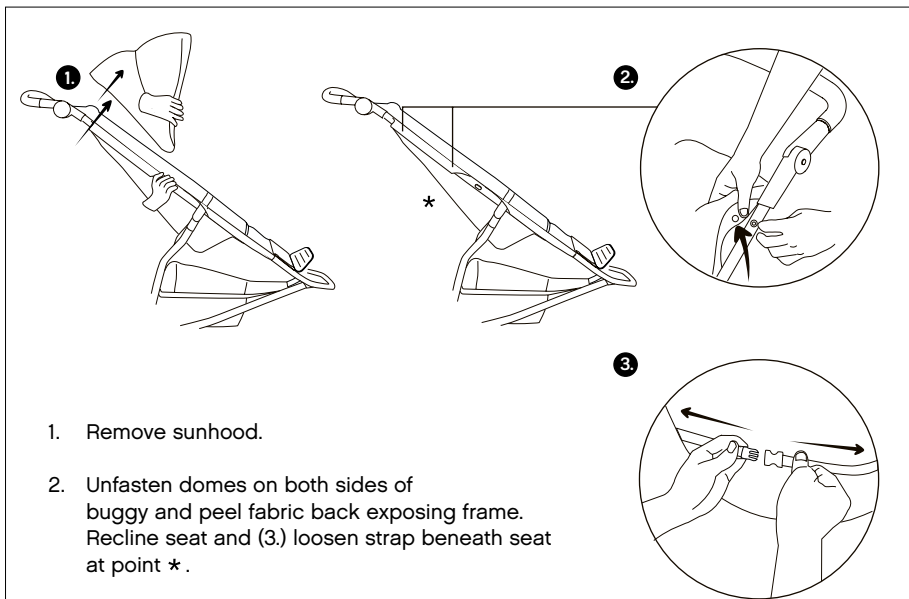
## IMPORTANT CHECKS

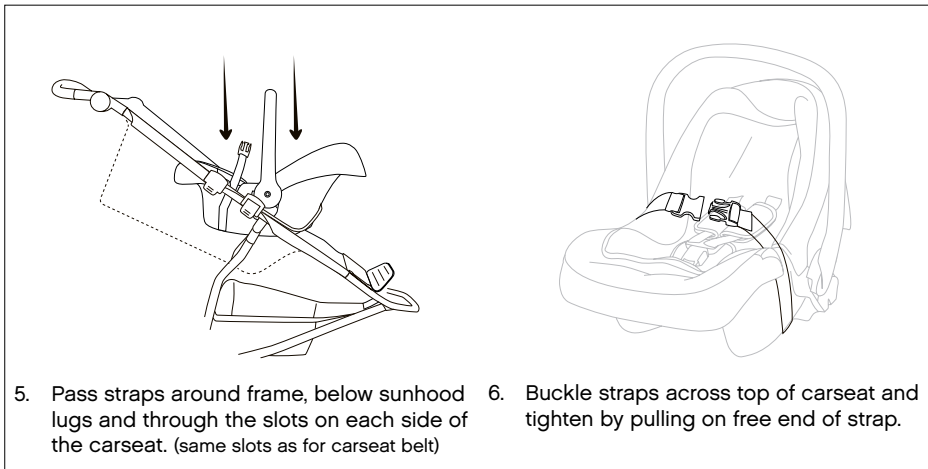
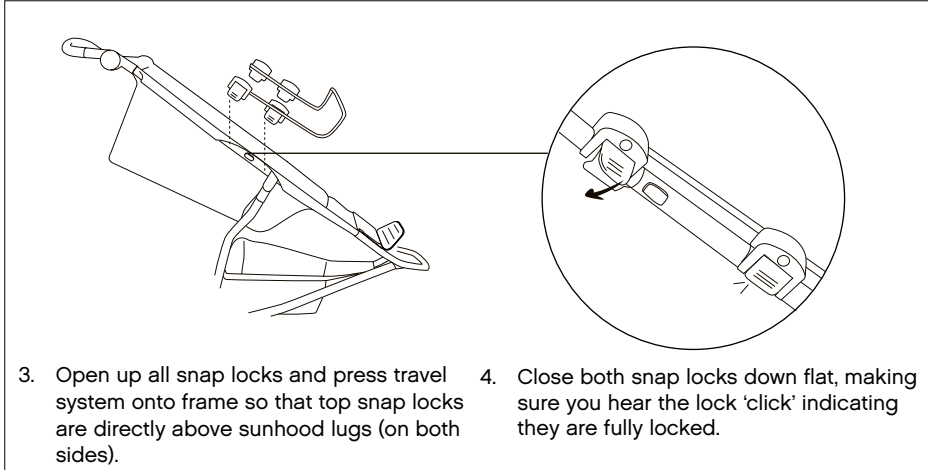
- Make sure baby is harnessed into carseat using the manufacturer's instructions.
- When fitting carseat onto travel system, ALWAYS keep a steady hand on car seat and baby, until travel system strap is securely fastened.
- Check travel system is engaged correctly onto buggy frame and cannot move in any direction. (Refer back to installation instructions to ensure positioning of snap locks are correct).
- Do not use travel system if you are unable to secure carseat or travel system. In this case, contact your store / distributor where the buggy was purchased from, for more help.
- It is recommended that you practise the following instructions without baby in carseat.

WARNING!: ALWAYS put the buggy brake on.

### To attach travel system

Note: The buggy seat does not need to be removed to fit travel system.





## Remove carseat from travel system

1. Unbuckle travel system buckle and remove straps from slots on carseat.
2. Pull up carseat latch handle and lift carseat upwards.

## Remove travel system from buggy

Open all four snap locks by lifting up levers and lift travel system off buggy.

For any assistance, please contact your nearest retailer listed at  
**[www.mountainbuggy.com](http://www.mountainbuggy.com)**

Model MB1-CLIP4  
Issue June 2010

Safety certified: ASTM F833-08



send 102-112 Daniell St, Newtown 6021, Wellington, New Zealand  
ph +64 4 380 0833  
fax +64 4 380 0137

Designed in New Zealand. Made in China.