



life without limit™

installation instructions

urban jungle™/terrain™ Evenflo™ travel system

Installation instructions for the travel system that fits the Discovery™ infant carseat made by Evenflo™.

WARNINGS

Check you have the correct travel system for your carseat.

WARNINGS

Do not use this travel system until you have read and understood the instructions!

WARNINGS

Never leave your child unattended.

WARNINGS

Do not use accessories not designed for your buggy as they may be unsafe.

WARNINGS

Do not leave your baby in carseat (on or off buggy) for long periods of time.

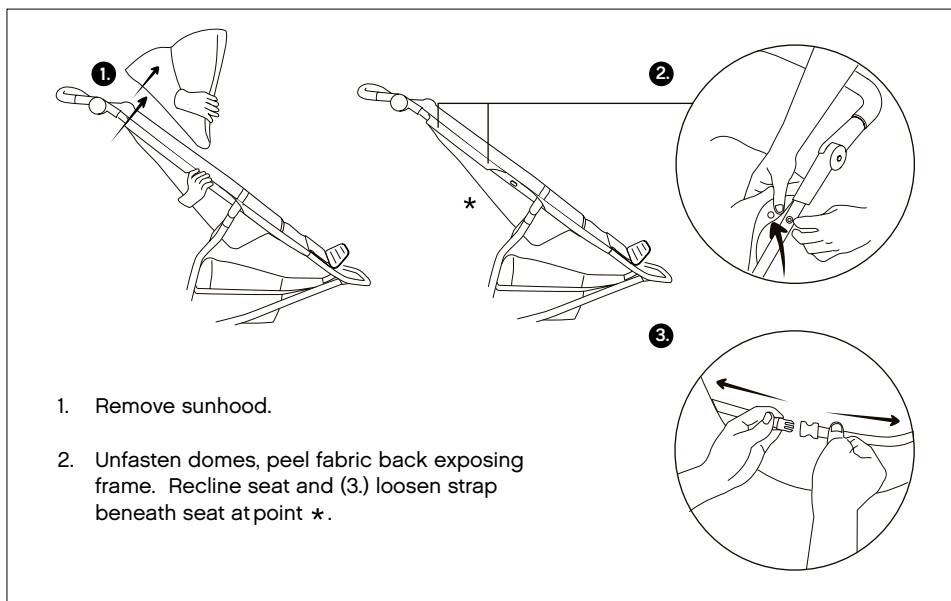
IMPORTANT CHECKS

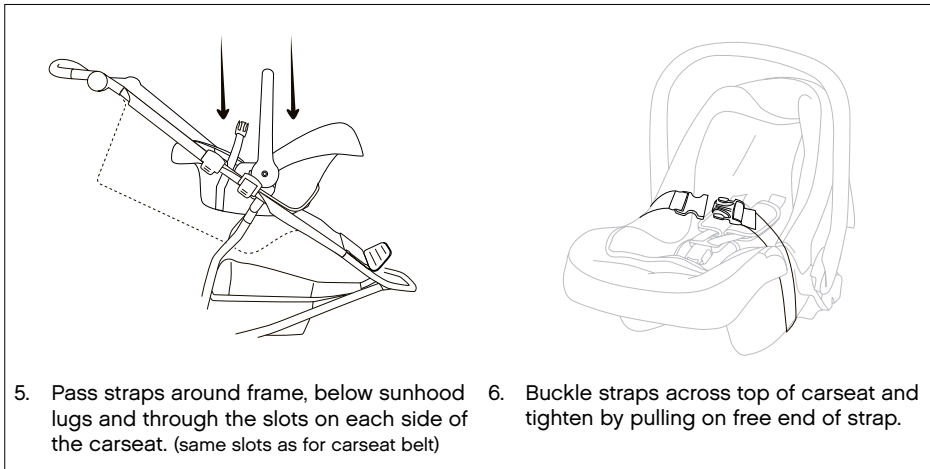
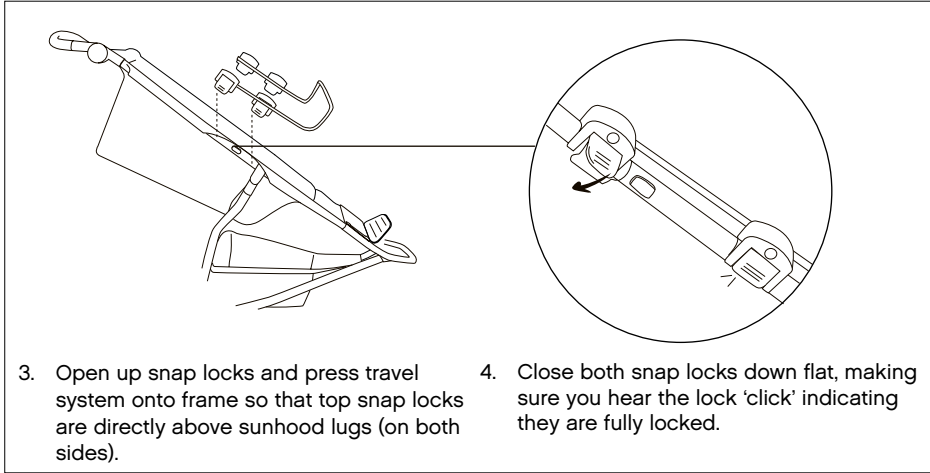
- Make sure baby is harnessed into carseat using the manufacturer's instructions.
- When fitting carseat onto travel system, ALWAYS keep a steady hand on carseat and baby.
- Check travel system is engaged correctly onto buggy frame and cannot move in any direction. (Refer back to installation instructions to ensure positioning of snap locks are correct).
- Do not use travel system if you are unable to secure carseat or travel system. In this case, contact your store / distributor where the buggy was purchased from, for more help.
- It is recommended that you practise the following instructions without baby in carseat.

WARNING!: ALWAYS put the buggy brake on.

To attach travel system

Note: The buggy seat does not need to be removed to fit travel system.





Remove carseat from travel system

1. Unbuckle travel system buckle.
2. Pull the carseat latch handle and lift carseat upwards.

Remove travel system from buggy

Open all four snap locks by lifting up levers. Lift travel system off buggy.

For any assistance, please contact your nearest retailer listed at
www.mountainbuggy.com

Model MB1-CLIP2
Issue June 2010

Safety certified: AS/NZS 2088:2000



send 102-112 Daniell St, Newtown 6021, Wellington, New Zealand
ph +64 4 380 0833
fax +64 4 380 0137

Designed in New Zealand. Made in China.